

Thank you for choosing Cyron products! Cyron is committed to provide the latest lighting technology without any compromises. Please read instructions completely before starting installation.

TOOLS NEEDED:

Wire stripper, Wire cutter, Electrical tape, Connector Crimper may be used.

INSTRUCTIONS:

Follow the wiring diagram to install the controller.

Battery/Supply Power: Locate the positive (+) and negative (-) battery posts. Cyron recommends connecting the input power directly to the battery posts. Ring terminals (blue color) have been provided for ease of connectivity to the battery posts. Alternatively, consult your vehicle owners manual if you would like to connect to accessory switches. Do not exceed max current capacity and power rating of vehicle accessories. Remove fuse from fuse holder during the entire installation process. Replace fuse after the installation is fully complete.

Solder-less Terminal Block: Solder-less terminal blocks have been provided to eliminate the need of crimping tools or soldering. Strip the wires half an inch. There are five or three slots on each terminal block. With the orange lever lifted all the way (90°), a single wire or a combination of few wires twisted together can be inserted in the slot. Closing the lever will secure the wire(s) in place. The order of connecting wires in the openings does not matter. All openings of the terminal block are electrically connected together.

On the back of terminal blocks with a permanent marker write Z1, Z2, and Z3 for the corresponding zones.

LED Placement: Choose locations where the light does not get blocked by other objects. Shine light on the chrome parts to maximize the effectiveness of the LEDs. Larger non-reflective areas will need more lights. Be mindful about the lights not disturbing yours or other driver's night vision.

Cyron's state-of-the-art RC3A12 remote controller is able to operate in basic mode (Uni-Zone) or advance mode (Tri-Zone). In the Uni-Zone mode all the lights work together with a simple on/off operation. In this mode buttons 2, 3, 4 of the remote are deactivated. In the Tri-Zone mode three zones (groups) of LEDs work almost independently. For example in a motorcycle lighting project Zone1 can be the lights around the motor, Zone2 can be the ground effect lights, and Zone3 can be lights in the wheels. See picture for some suggested areas. Each controller channel is dedicated to a zone of lights. In fact, each zone can be any LED (12VDC or 24VDC LED depending on the power source) that draws 3Amp or less.

IMPORTANT: Total controller capacity is 3x 3A or 9A. Do not exceed this rating. Serious damage to controller and wiring will be caused.

LED Attachment: Wipes have been provided to clean the LED bodies and the installation area free of grease and dust. Before proceeding make sure the wipes do not affect the painted surfaces. Wipe the area and let it dry completely. CYRON CV6 LED can be mounted on its side or back. Choose one or the other depending on the installation area and direction the light needs to project. Extra tape has been provided in case you decide to reposition the lights. Remove one side of the tape liner and place on the LEDs. Remove the other side of the liner (you may need a thin sharp object such as a knife to gently remove the liner) and place the lights in the designated areas. Avoid touching the adhesive surface.

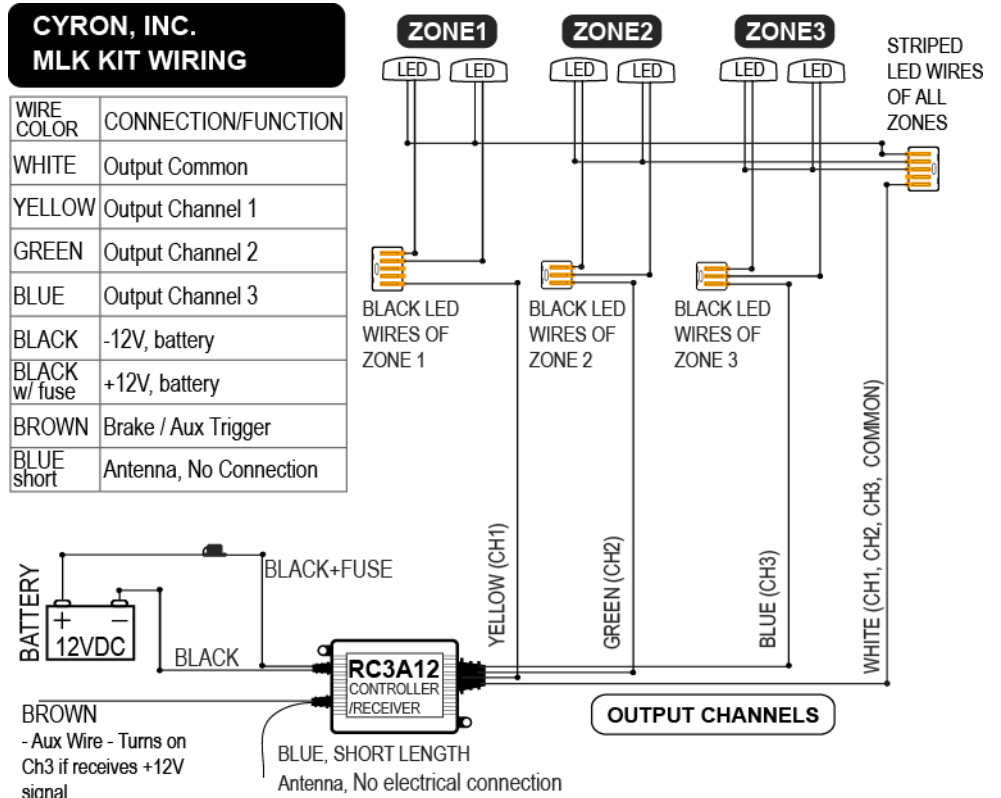
Pay special attention to placement of the wires. Avoid moving parts or coming in direct contact with the engine. Use wire ties to secure the wires. For added protection of the wires in harsh areas such as fenders or under the frame it is suggested to cover the wires with braided tubing. Cyron part# TUBINGBR-1/8BK.

OPERATIONS:

Pair Up Remote: The first step is to pair up the remote to the controller. With all wiring completed remove the fuse from fuse holder. Replace back and within 5 seconds press button 1 three consecutive times. All channels should flash 5 times confirming the pair up process. If not successful repeat process again.

Operation Modes: The controller presently is either Uni-Zone or Tri-Zone modes. Test by pressing button 2 to see if any changes in lights take place. If pressing 2 does not change the lights the remote is in Uni-Zone mode. If the lights do change the remote is in Tri-Zone mode.

Change from Uni-Zone to Tri-Zone:



1. Turn the lights off using Button 1.
2. Press and hold buttons 3 and 4 for one second.
3. Ch2 will flash 5 times to confirm.

Change from Tri-Zone to Uni-Zone:

1. Turn the lights off using Button 1.
2. Press and hold buttons 1 and 2 for one second.
3. Ch1 will flash 5 times to confirm.

A vast array of features are available in Tri-Zone mode. There are 10 light modes, 5 static and 5 dynamic. In Static modes the lights are on solid without any movement. In Dynamic modes the lights (channels) go through a pre-programmed sequence of patterns which are appropriately named in the chart below. Speeds of the patterns are adjustable by pressing button 3 to decrease and button 4 to increase. There are 5 speeds in each Dynamic mode.

Brake light trigger/Aux Wire: This feature will make the accent light system become a safety or deterrent feature. Connecting Aux Wire to +12VDC will turn on Channel 3 regardless if the controller is on or off. For instance, connect Aux wire to brake lights and every time brakes are applied the lights of Ch3 can be additional visual signal. NOTE: Consult with your local laws regarding additional driving lights on vehicles. Another usage can be connecting Aux wire to output of an alarm system. Ch3 would turn on when alarm is triggered.

Battery Saver: Controller will cut off the light system if the supply voltage (vehicle battery) drops too low, preserving the battery for starting the vehicle. With this feature the lights can be left on without worrying about a dead battery. This feature does not apply to 24VDC supply voltages.

Modes in Tri-Zone (button 2 to change)	Channel 1	Channel 2	Channel 3
1 (Static)	ON	ON	ON
2 (Static)	ON	ON	OFF
3 (Static)	ON	OFF	OFF
4 (Static)	OFF	ON	ON
5 (Static)	OFF	OFF	ON
6 (Dynamic)	SHOW OFF		
7 (Dynamic)	BRING IT ON		
8 (Dynamic)	HEART BEAT		
9 (Dynamic)	KNOCKOUT		
10 (Dynamic)	BLIND SHOT		

SPECIFICATIONS

Operating Voltage	12-24VDC, 3x3A (9A peak)
CV6 LED	12VDC, 40mA each
Control Processor	PWM, Common Anode
Cutoff Voltage	11.7V
Standby Current	16mA
Transmitter Frequency	433MHz

WARRANTY

Cyron warrants this product against any defects in materials or workmanship for a period of ONE (1) year from the date of purchase. The warranty covers normal usage as intended by the factory and does not cover misuse, abuse, accidents, or damages caused due to the acts of God. Proof of purchase is required.

ANY IMPLIED WARRANTIES, INCLUDING WITHOUT LIMITATION THE IMPLIED WARRANTIES OF MERCHANTABILITY AND FITNESS FOR A PARTICULAR PURPOSE, SHALL BE LIMITED TO THE DURATION OF THIS LIMITED WARRANTY. OTHERWISE THE REPAIR, REPLACEMENT, OR REFUND AS PROVIDED UNDER THIS EXPRESS LIMITED WARRANTY IS THE EXCLUSIVE REMEDY OF THE CONSUMER, AND IS PROVIDED IN LIEU OF ALL OTHER WARRANTIES, EXPRESS OR IMPLIED. IN NO EVENT SHALL CYRON, INC. BE LIABLE, WHETHER IN CONTRACT OR TORT (INCLUDING NEGLIGENCE) FOR DAMAGES IN EXCESS OF THE PURCHASE PRICE OF THE PRODUCT, ACCESSORY OR FOR ANY INDIRECT, INCIDENTAL, SPECIAL OR CONSEQUENTIAL DAMAGES OF ANY KIND, OR LOSS OF REVENUE OR PROFITS, LOSS OF BUSINESS, OR OTHER FINANCIAL LOSS ARISING OUT OF OR IN CONNECTION WITH THE ABILITY OR INABILITY TO USE THE PRODUCTS OR ACCESSORIES TO THE FULL EXTENT THESE DAMAGES MAY BE DISCLAIMED BY LAW.

Some states and jurisdictions do not allow the limitation or exclusion of incidental or consequential damages, or limitation on the length of an implied warranty, so the above limitations or exclusions may not apply to you. This warranty gives you specific legal rights, and you may also have other rights that vary from state to state or from one jurisdiction to another. Warranty inquiries can be emailed to warranty@cyron.com or mailed to:

CYRON, Inc.
 Warranty Claim Dept
 21029-C Itasca Street
 Chatsworth, CA 91311 USA

[Other quality automotive lighting accessories & upgrades available from CYRON](#)

For details please contact your local dealer or visit www.CYRON.com:

<u>Part Number</u>	<u>Description/Application</u>
CV62C-[color]	Convex 6LED Cluster, Chrome finish PAIR
CV62-[color]	Convex 6LED Cluster, Black finish PAIR
CV610C-[color]	Convex 6LED Cluster, Chrome finish BULK PACK 10pcs
CV610-[color]	Convex 6LED Cluster, Black finish BULK PACK 10pcs
FL30-[color]	FlexLED super flexible strips, 30LED, 12", Can be trimmed smaller
CMF1202	Rigid mount for FlexLED, 10", perfect for ground effect and lights under saddle bags
CON-TB005	Solder-less Terminal Block, 5 outlet
ABH4K-A6K	Headlight LED bulb retrofit kit, H4
AB881-A6K	Driving Lamp, LED 880, 881 fitting
AB1156D-24	Light bulb, 24LED 1156 single contact, Amber OR Red
AB1157D-24	Light bulb, 24LED 1157 dual contact, Amber OR Red
AB3156D-24	Light bulb, 24LED 3156 single contact, Amber OR Red
AB3157D-24	Light bulb, 24LED 3157 dual contact, Amber OR Red
RC3A12-REM	Spare remote for RC3A12

System diagnostics:

<u>LIGHTS DO NOT TURN ON</u>	<u>Diagnosis</u>
Is the supply voltage connected properly?	Make proper connection to battery terminals
Is the fuse in the fuse holder? Is it the fuse blown?	Check the fuse. Fuse type 5A or 7.5A small blade
Has the remote been paired up with controller?	Take fuse out and plug back in. Within 5 seconds of plugging in press button "1" on the remote 3 times. All channels should flash 5 times indicating the remote and controller have been paired. With same procedure up to two remotes can be learned by the controller. Pairing up a 3rd remote will erase the first one.
<u>REMOTE NOT FUNCTIONING</u>	<u>Diagnosis</u>
Remote indicator light does not turn on	Check remote battery. Type 27A. Cyron Part# BAT-27A
Remote indicator light stays on	The buttons have been pressed too hard. The silicon rubber buttons can be put out of alignment if pressed with too much force. Gently rock the buttons as they are being pressed to set them back in place.

